

APOLLO

OPENING ROOF SYSTEM

www.ApolloOpeningRoof.com



THE ULTIMATE ADJUSTABLE PATIO COVER SYSTEM
CONTEMPORARY DESIGN | SUN | SHADE | RAIN PROTECTION | TEMPERATURE CONTROL



OPENING ROOF SYSTEM

FEATURES & BENEFITS

RAIN PROTECTION

Interlocking louvers channel rain into 360° gutters providing protection from the rain.

SOLAR CONTROL = ENERGY SAVINGS

Louvers can be oriented in any direction desirable for maximum control over sunlight. Sun can be let through in the winter to provide solar heat gain, and blocked in the summer months to provide energy-saving shade.

VIRTUALLY MAINTENANCE FREE

High quality finishes and coatings eliminates painting, staining, and waterproofing of traditional cover options. Aluminum components prevents warping, cracking, and deformation.

BEAUTIFUL APPEARANCE

Apollo louvers and components are available in two standard colors, as well as an endless array of architectural finishes. The baked-on enamel provides a lasting finish. Anodizing, other custom coatings and the sleek Apollo louver system compliment any architectural design. The louvers have the look and feel of a traditional tongue and groove ceiling when fully closed.

INSTALLATION

The Apollo system can be installed by any qualified builder or DIY. The system was designed with the installer in mind, providing short build time and hassle free installation. Complete installation guides are provided to simplify installation.

COMPLETE IN-HOUSE DESIGN SERVICE

A simple sketch is all it takes to start the design process. Our in house design team at Axis Concepts Inc. can assist with design, drawings and engineering documentations for any project.

15 YEAR WARRANTY

Each Apollo Opening Roof System is warranted from defects in materials and finish for 15 years. Electrical components and drive motors are covered for 5 years.



APPLICATIONS & FUNCTION

A NEW ERA OF OUTDOOR CLIMATE CONTROL

The day of our parent's pergola is gone. The next generation pergola is here in the form of the Apollo Opening Roof System. With endless functional and aesthetic possibilities the Apollo Opening Roof System is truly redefining outdoor spaces.

WHO'S BENEFITING?

Residential, commercial and hospitality sectors are enjoying the many applications of the Apollo Opening Roof System. The reality is that any outdoor setting can benefit from our sophisticated designs and endless variations of environmental control. Take advantage of your outdoor space regardless of the weather with control over the rain, sun, shade, light and ventilation.

RESIDENTIAL

- Great for extending outdoor patio living space
- Backyard patios, pool areas & courtyards
- Rooftop structures
- High-rise balcony covers

COMMERCIAL

- Restaurants; increase profits with year 'round outdoor dining. Rain or shine
- Office buildings: outdoor community areas
- Shade canopies

HOSPITALITY

- Poolside shade cabanas
- Guest dining areas
- Rooftop shade, pergolas, ramadas, lanais, etc.
- Optional solar powered

The possibilities are endless.

APOLLO
OPENING ROOF SYSTEM



THE APOLLO FRAMEWORK

ELEGANT STRUCTURAL DESIGN

The Apollo extruded aluminum frame system offers the appearance and structural integrity desired from architects and professionals. Available in 2x8, 2x10 beams and may be doubled to create 4"x beams, 4 inch and 6 inch post. All standard finishes available in white, sand, clear and bronze anodized, plus an endless array of custom finishes.

OTHER FRAME MATERIAL OPTIONS

Although the Apollo extruded frame is an elegant frame solution there are many other designs that may require the use of lumber, steel and other aluminum products to support the louver system. Whether the Apollo Opening Roof system is designed into a new building project or added onto an existing structure most standard building materials will work as well and the Apollo Opening Roof can become a seamless part of any project and design.

FRAME MATERIAL

- Lumber
- Steel
- Aluminum

APOLLO WHISPERTECH™

POWERFUL QUIET MOTION

The Apollo WhisperTech™ Control System boasts an extremely quiet and robust motor offering years of trouble free performance. The powerful motor with state of the art high tech features and functionality operates with smooth precision. The optional rain sensor will close the system automatically upon detection of rain.

- Quiet, smooth operation
- Reliable & proven
- Powerful motor
- One touch control
- Rain sensor option available
- Environmentally compliant
- Solar power supply option available
- Made in the U.S.A.



TECHNICAL SPECIFICATIONS

LOUVER / TRACK MATERIAL

6063-T6 Aluminum (All extrusions manufactured following Aluminum Association tolerances and to meet ASTM standards.)

PIN MATERIAL

Self-lubricating, UV resistant Delrin®, by Dupont™

COATINGS (STANDARD)

Electrostatically applied polymer enamel meets or exceeds AAMA organic coating standards. Oven baked to 400° to achieve H-2H hardness rating. The finish provides excellent resistance to stains, scratches, dirt, UV rays, and salt spray.

UNLIMITED CUSTOM FINISHES

Including Kynar and **anodized**

MAX LOUVER SPAN

10 feet (Please call regarding longer spans.)

MAXIMUM LOUVERS PER BAY

50

LOAD RATINGS

Standard load rating 110 mph, 20 lb. live load, 60 lb. snow load (higher ratings are achievable)

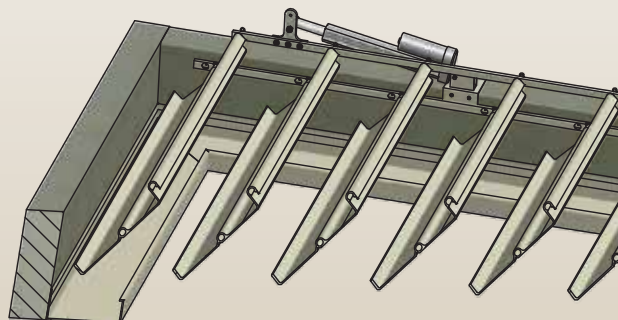
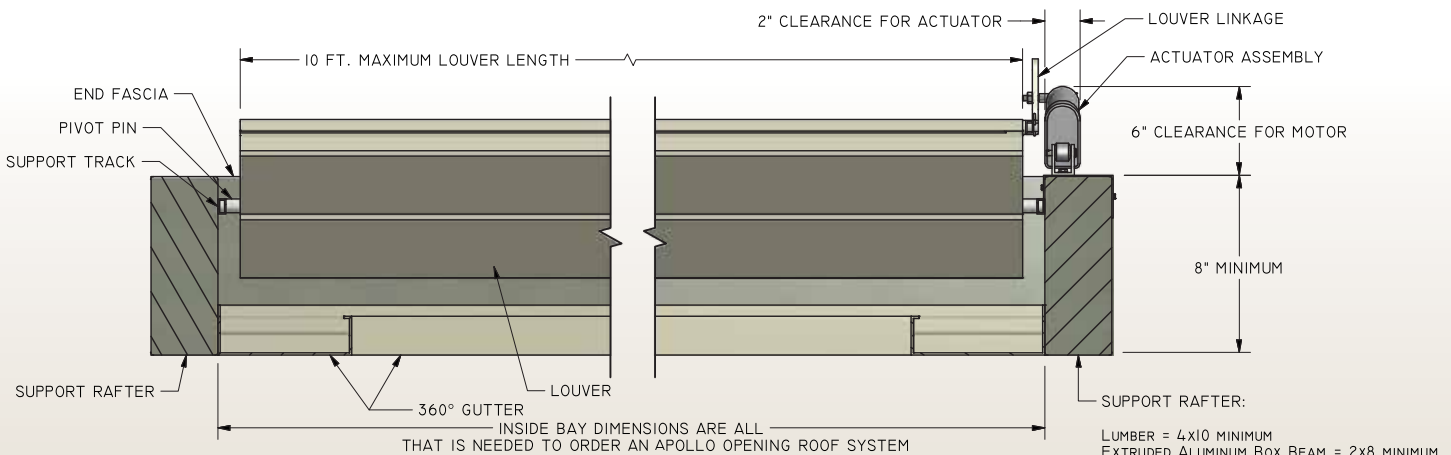
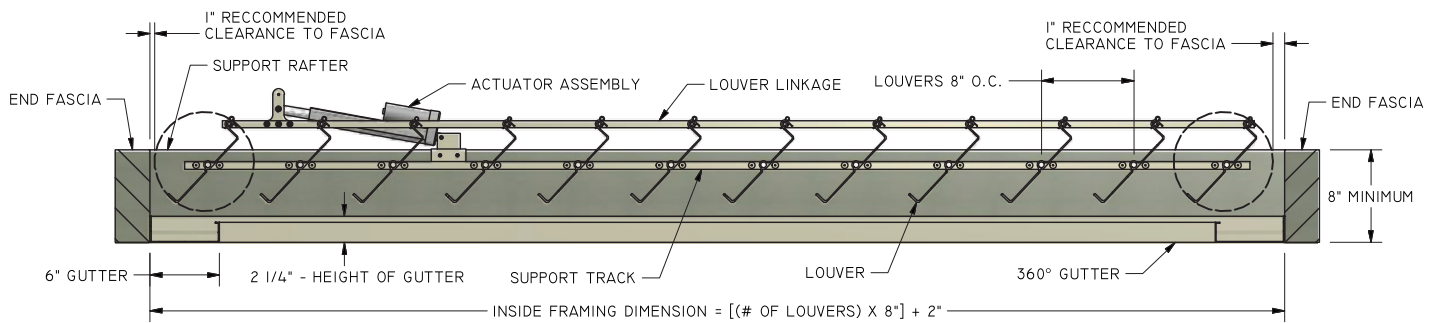
LOUVER SLOPE

5/8" drop per 10' of louver, away from actuator assembly

LOUVER ROTATION

Nearly 160° of motion from a flat, closed position

OPENING ROOF SYSTEM COMPONENTS



ALL NECESSARY HARDWARE INCLUDED WITH KIT



OPENING ROOF SYSTEM

The ultimate in...
OUTDOOR CLIMATE CONTROL



COLORS

(Many custom colors and finishes available, not shown here)
This color palette is for reference only. For color accuracy, please contact us or any of our retailers.



[Standard Colors]
White | Sandalwood

[Popular Custom Colors and Finishes, others available]
Clear Anodized Bronze Anodized Wood Grain Wood Grain

FRAME MATERIAL



Lumber

Stucco

Aluminum

Steel

CONTROL OUTDOOR LIVING WITH EASE FOR YEAR-ROUND ENJOYMENT.

Apollo Opening Roof System™
info@ApolloOpeningRoof.com | 866-241-2792
www.ApolloOpeningRoof.com



OPENING ROOF SYSTEM