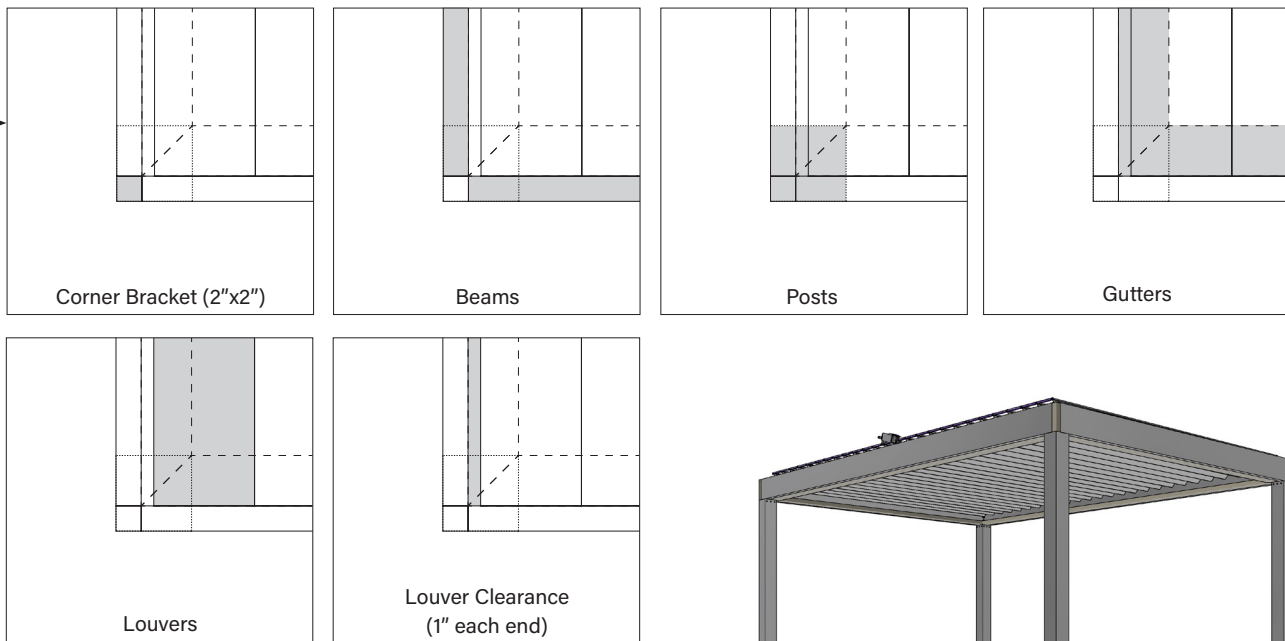
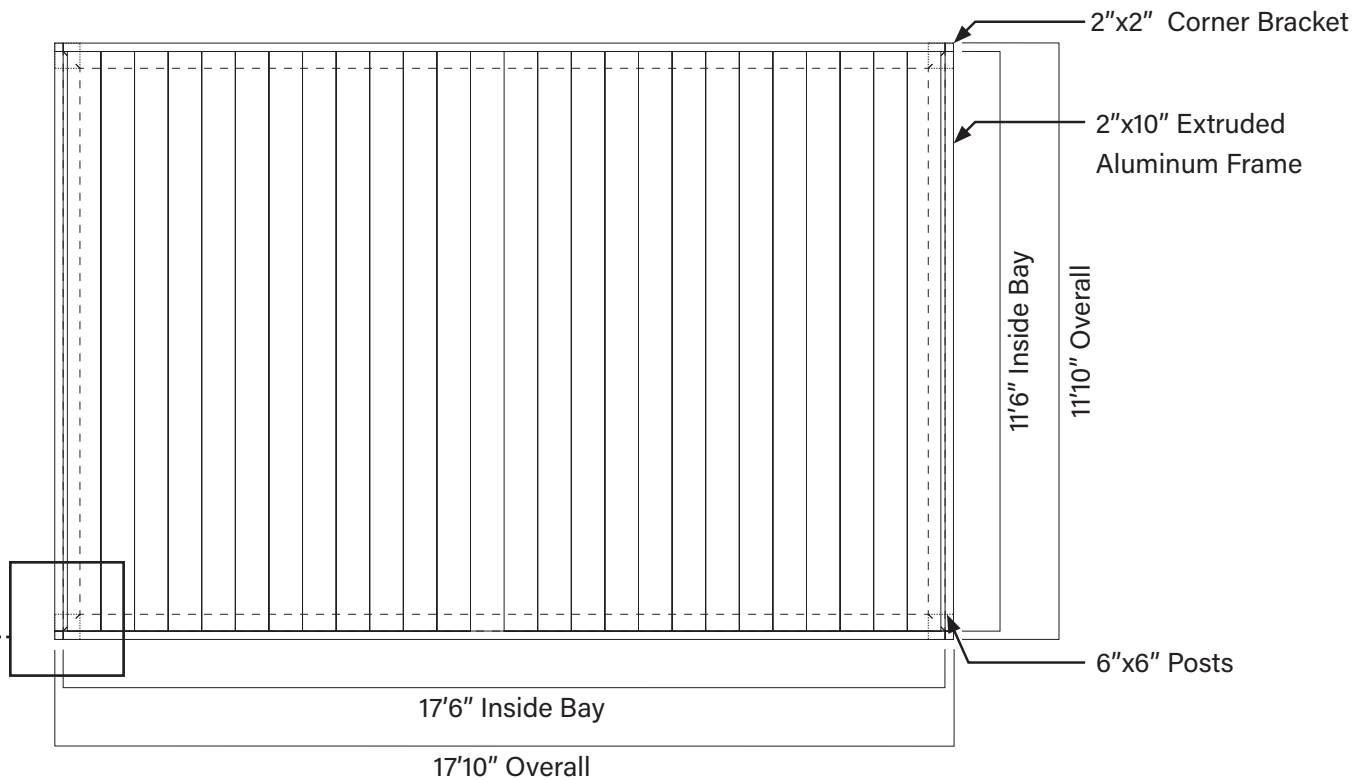




Example: Freestanding Single Bay System Overall Size 17'10"x11'10"

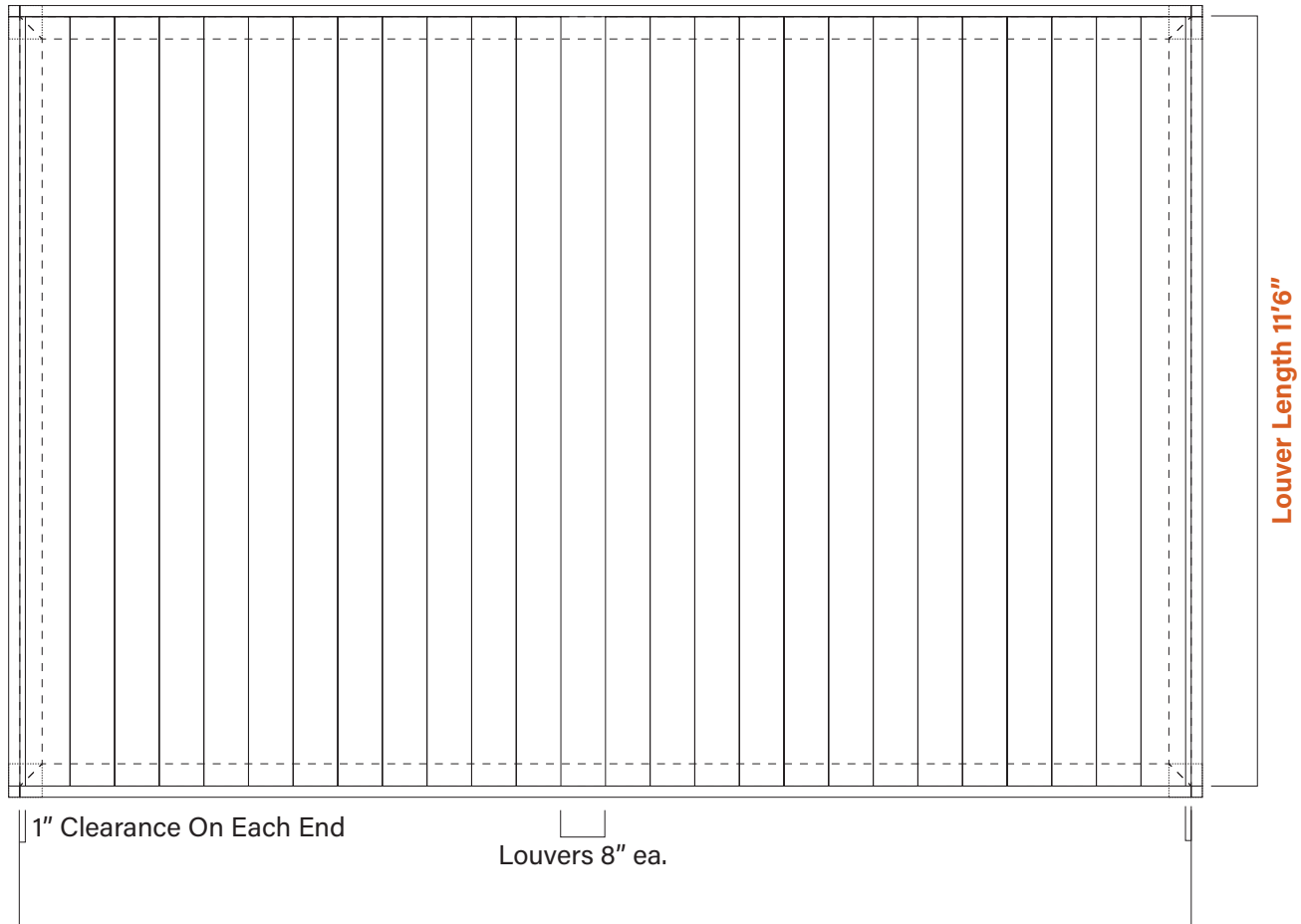




### 1. Inputting the louver projection and length

The inside louver **PROJECTION** is made up by multiples of 8" louvers and includes 2" of clearance (1" on each end of the bay).

The louver **LENGTH** is how long each individual louver is (**MAXIMUM** length is 11'6").



**Inside Louver Projection 17'6" (Including Clearance)**

#### Steps 1.1-1.3

1.1 Using the drop-down, select the inside dimension of the system's projection. (Ex: Select 17'6")

1.2 Input the inside dimension of the system's length. The system's length is how long each louver will be.

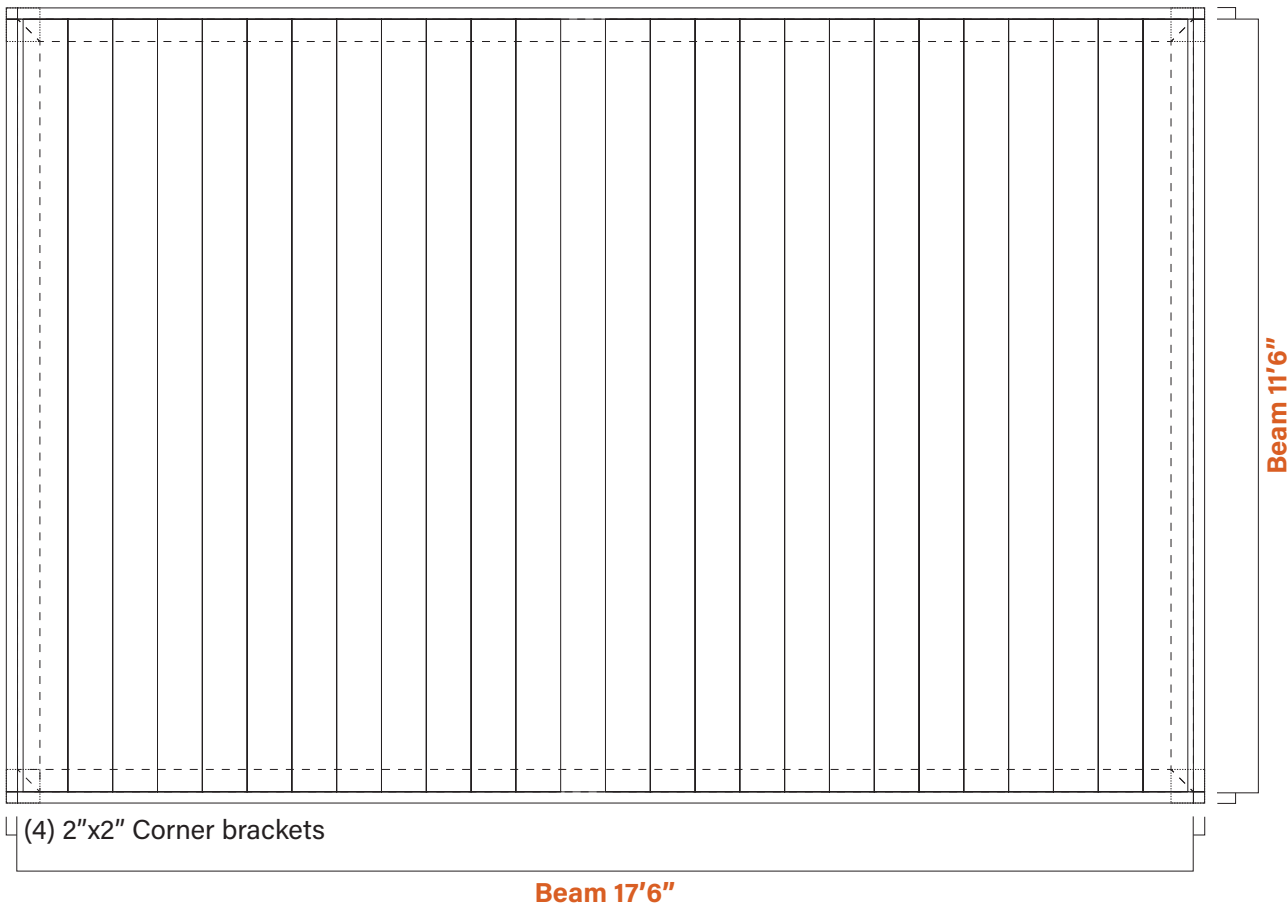
**IMPORTANT: The longest length a louver can be is 11'6"**

1.3 Input the Qty of bays that will be at this size. (Ex. Input 1)

The screenshot shows the following input fields:

- System Size: 17'6"
- Louver Projection: 17'6"
- Louver Length: Feet: 11, Inches: 6
- Qty of Bays at this Size: 1

There is an orange button labeled "Add Additional Bay Size" at the bottom of the form.



## 2. Inputting Beam Sizes

2.1 Input the length, size, and Qty of each beam size needed. If more beam sizes are needed, click the "Add Beam Size" button. (Ex: Two 2x10 beams @ 17'6" and two 2x10 beams @ 11'6" are required.)

**Note: Beams are sent 4" longer than stated unless otherwise noted.**

### Steps 2.1

**Beams**  
Enter the length and quantity of each beam size needed.

*\*Beams are cut 4" longer than specified, unless otherwise noted (Suggested to ensure accuracy in the field). \*\*Max beam length is 24'. If longer beams are necessary, call our office for pricing.*

*\*If you need to find out your wind and/or snow loads, [Click here](#).*

*\*If you need to find out your beam span limits [Click here](#) to download our excel spreadsheet*

Beam Cut  
 4" Long  
 To Exact Length

Beam Qty: 2 Beam Size: 2x10

Beam Length: Feet: 17 Inches: 6

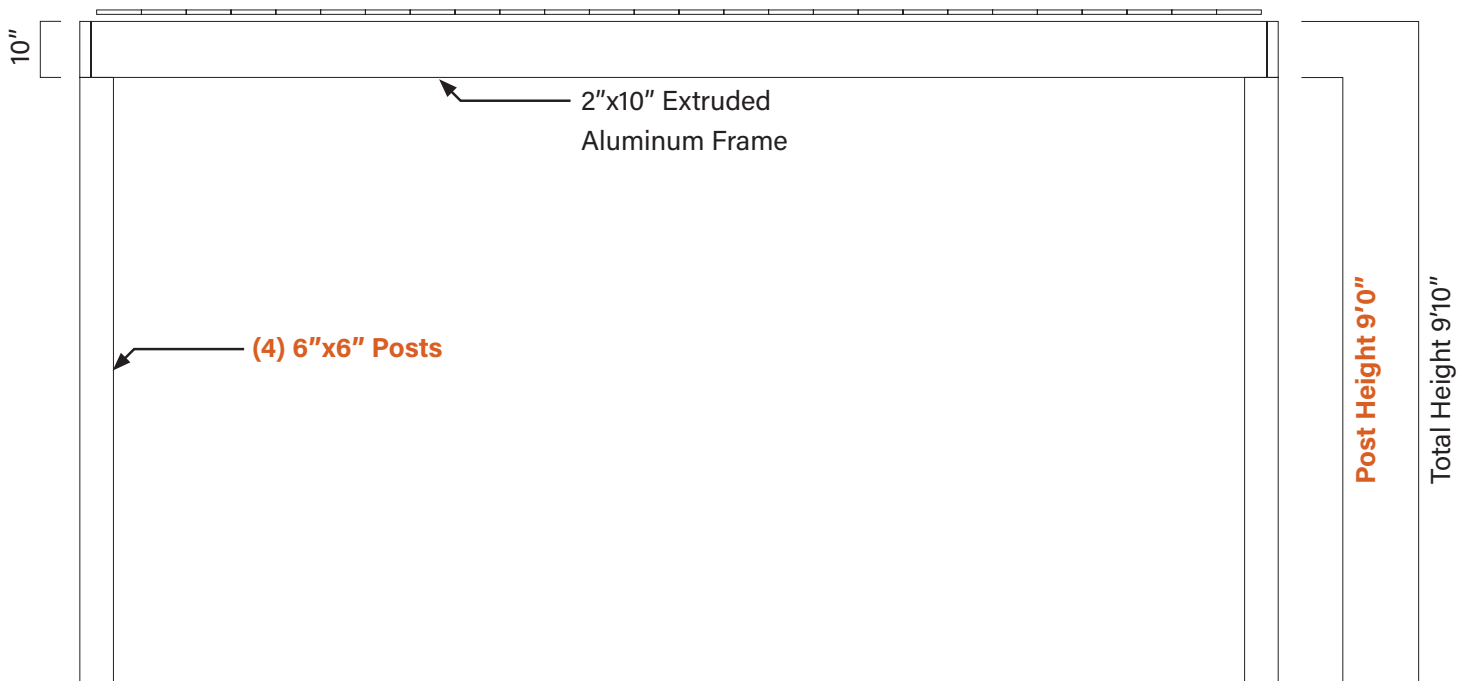
**Add Additional Beam Size**

Beam Qty: 2 Beam Size: 2x10

Beam Length: Feet: 11 Inches: 6

**Add Additional Beam Size**

Click to add more beam sizes



### 3. Inputting Post Sizes

3.1 Input the length, size, and Qty needed for posts. If additional post sizes are needed click the "Add Additional Post Size" button.

**Note: Posts are shipped 4" longer than stated.**

**Posts**  
*Enter the length and quantity of each post size needed.*

*\*All posts are cut 4" longer than specified, unless otherwise noted (Suggested to ensure accuracy in the field). \*\*Max post length is 21'. If longer posts are necessary, call our office for pricing.*

Post Cut  
 4" Long  
 To Exact Length

Qty:  Post Size:

Post Length: Feet:  Inches:

**Add Additional Post Size**



## 4. Gutters

4.1 Gutters are automatically included and calculated based off of the bay sizes.

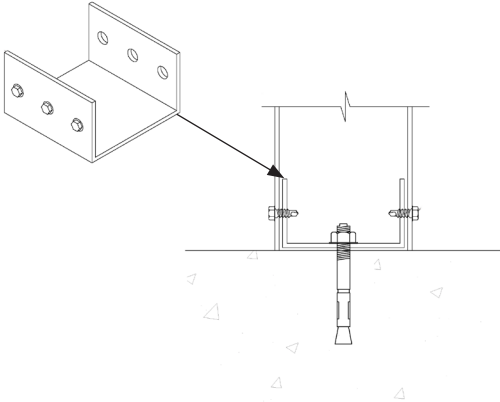
## 5. Extras

Motors: Typically, you'll need one motor per bay

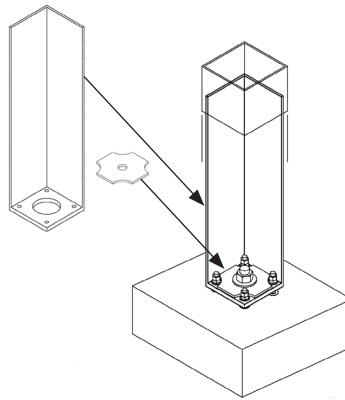
Engineering: While drawings are included with your plan set, we always advise site-specific engineering. Choose "residential" or "commercial" based on job type.

Ground Connection Types: If attached to a slab, internal post base brackets included in price. Galvanized steel posts for footings are not provided by Apollo.

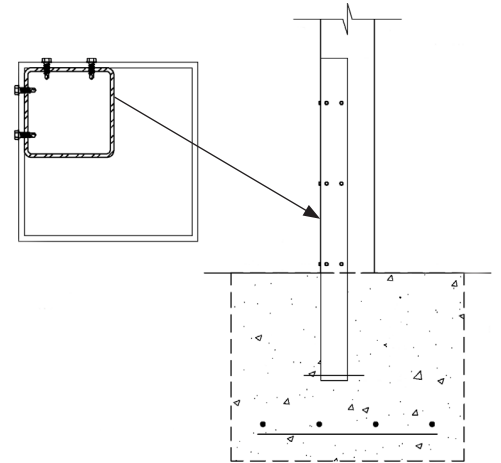
*Inside Post Bracket*



*Internal Post Base Bracket*



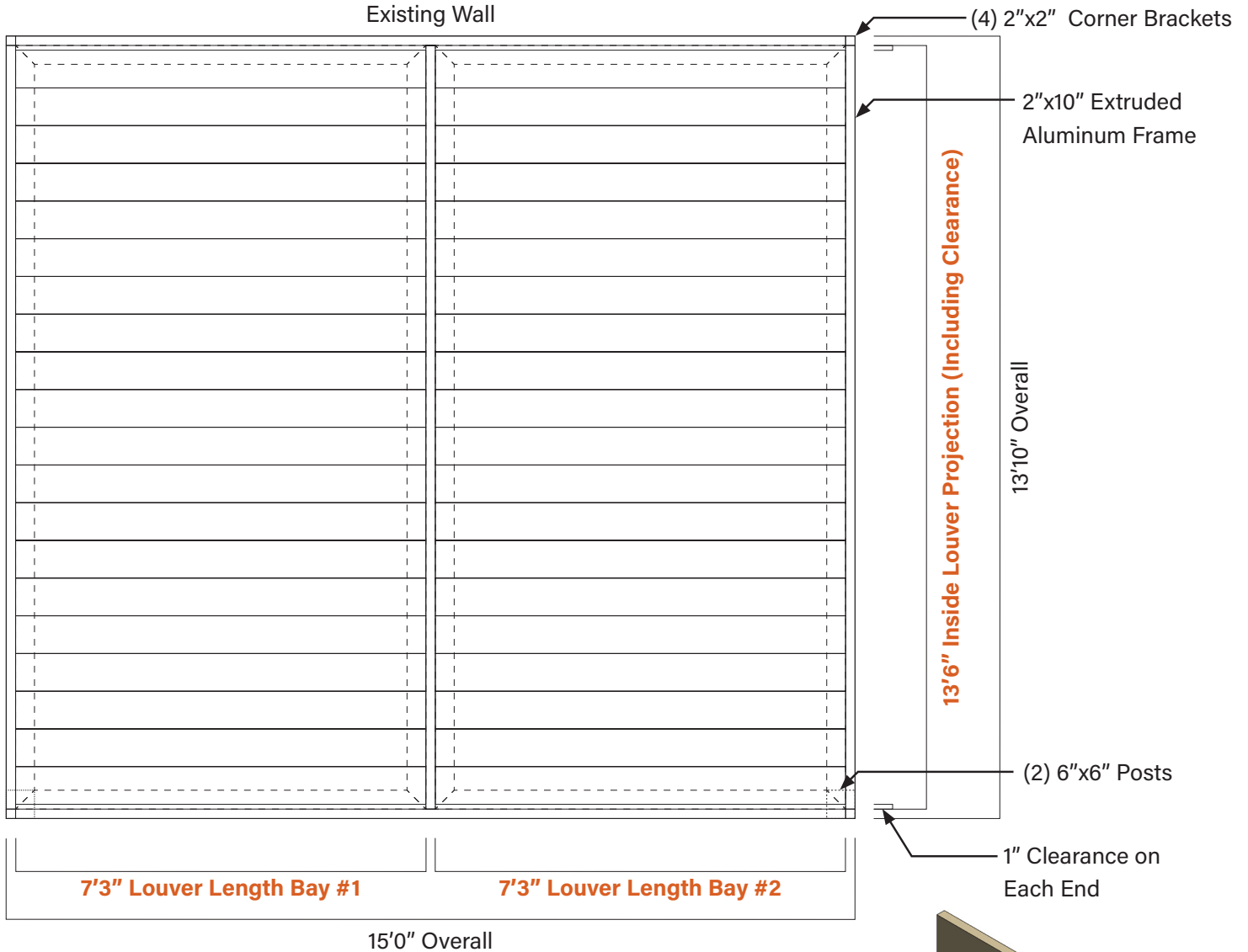
*Embedded Steel Insert*



Upload Files: Upload any sketches, images, or documents related to the project. This will help us verify your project details.



Example: Wall Attached Two Bay System Overall Size 15'x13'10"



System Size

Louver Projection

13'6"

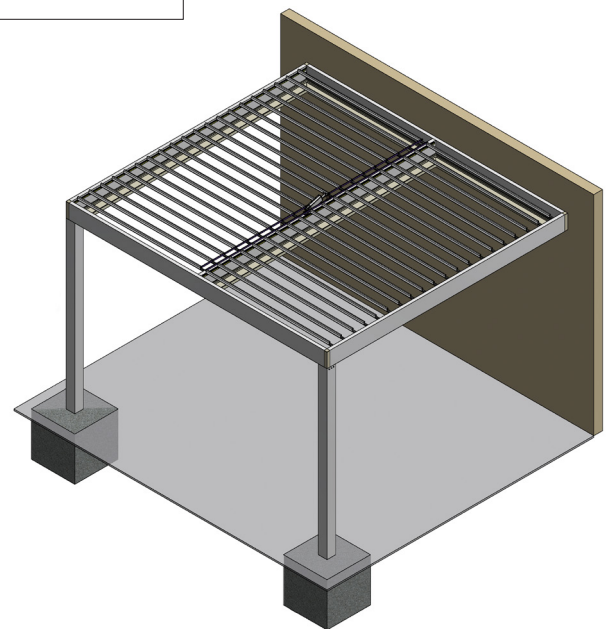
Louver Length: Feet      Inches:

7      3

Qty of Bays at this Size

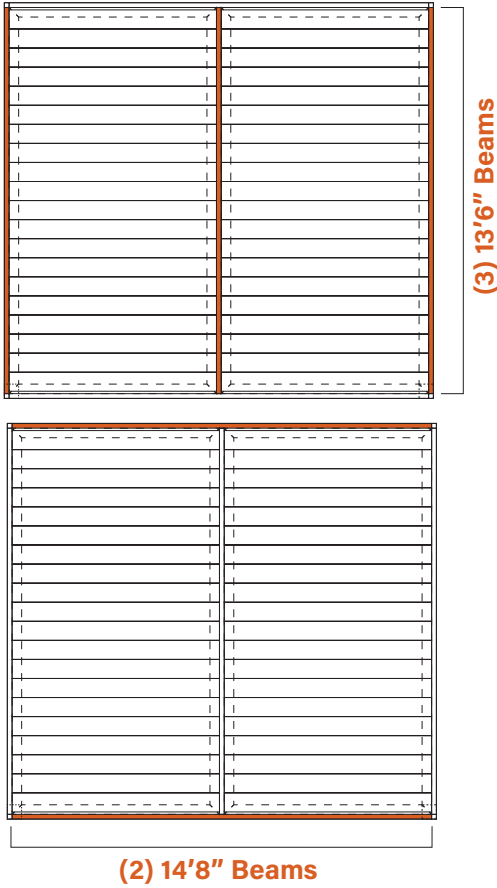
2

[Add Additional Bay Size](#)





### Beam and Post Sizes



Beam Cut

4" Long  
 To Exact Length

Beam Qty: 3 Beam Size: 2x10

Beam Length: Feet: 13 Inches: 6

Beam Qty: 2 Beam Size: 2x10

Beam Length: Feet: 14 Inches: 8

[Add Additional Beam Size](#)

### Existing Wall



Post Cut

4" Long  
 To Exact Length

Qty: 2 Post Size: 6x6

Post Length: Feet: 9 Inches:

[Add Additional Post Size](#)



### Submission

After submitting a quote a PDF will be sent to the email associated to the logged in account.

