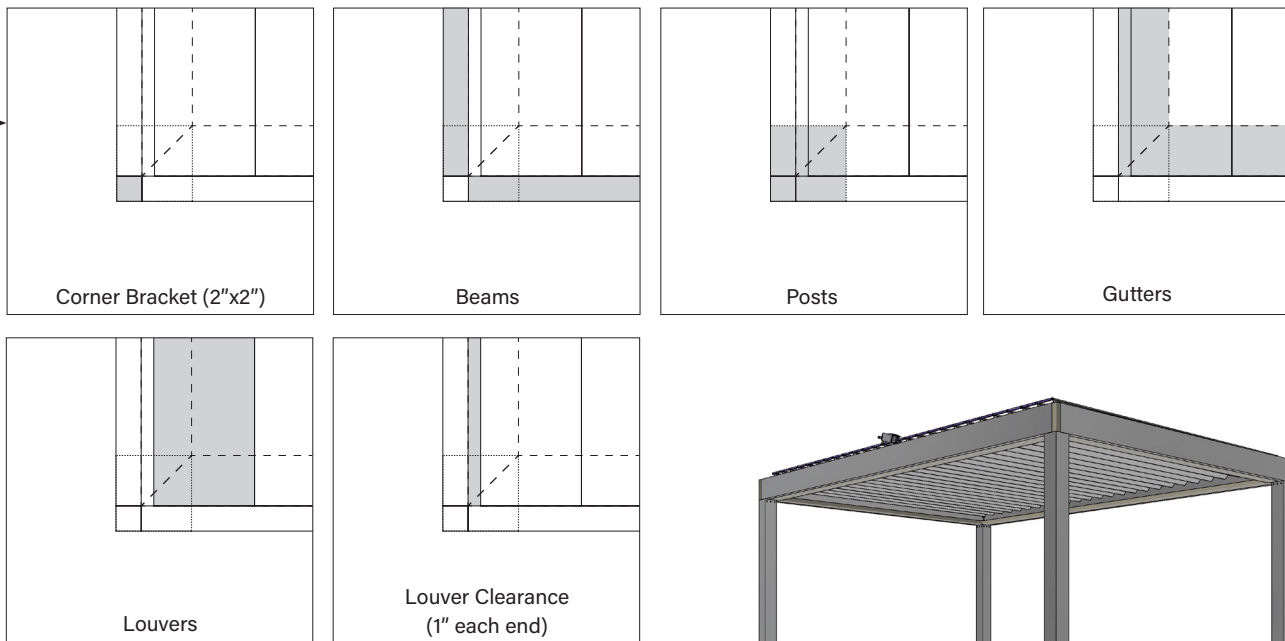
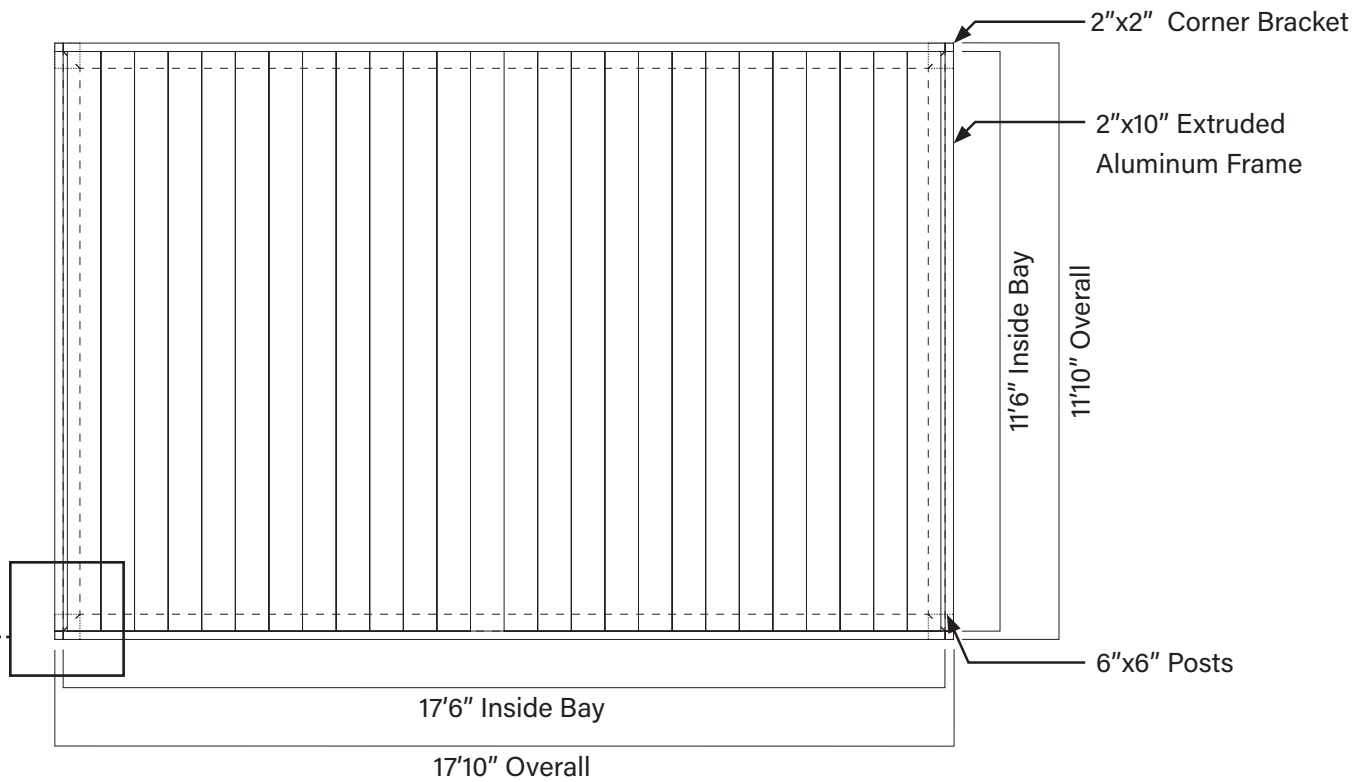




Example: Freestanding Single Bay System Overall Size 17'10"x11'10"

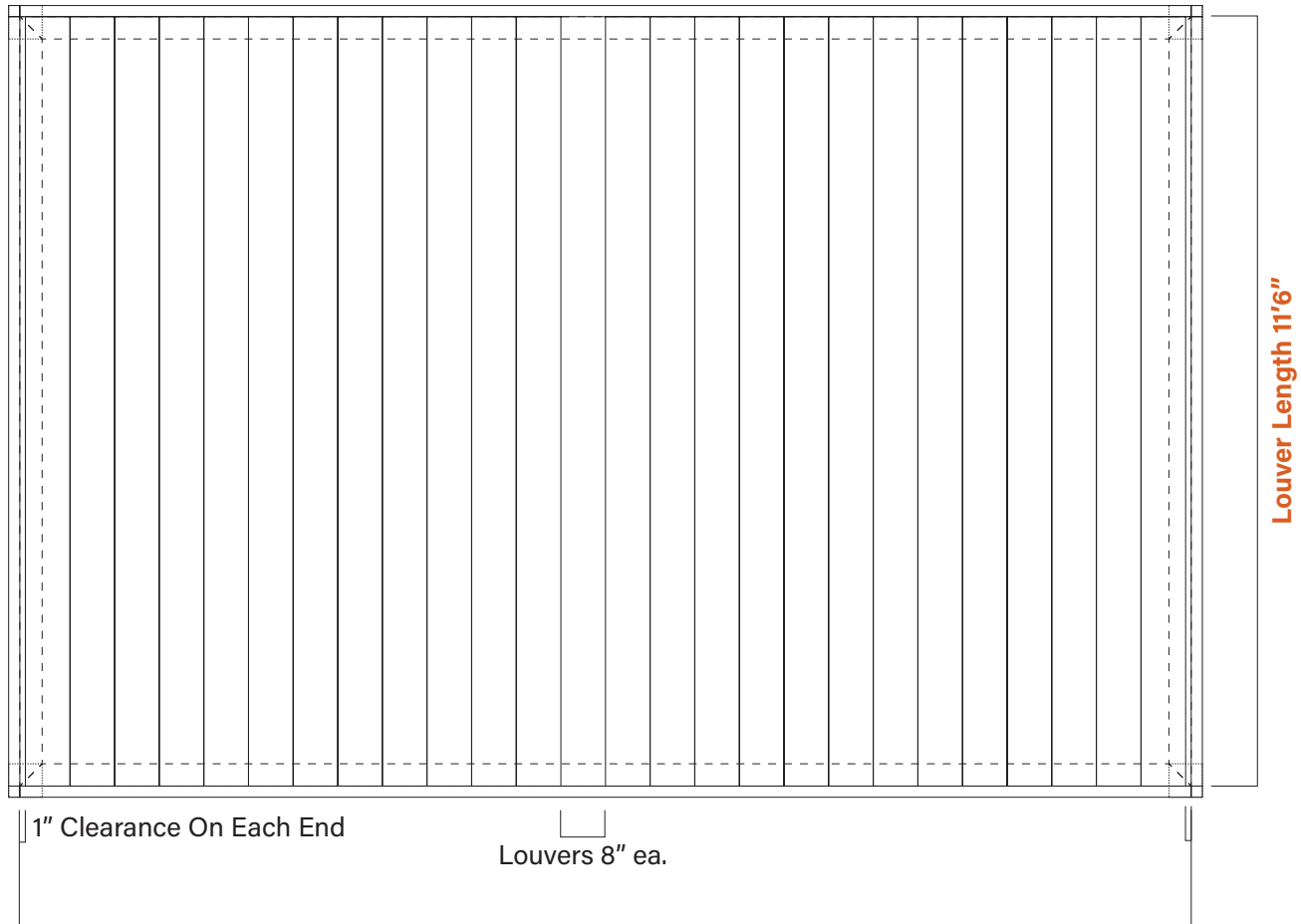




1. Inputting the louver projection and length

The inside louver **PROJECTION** is made up by multiples of 8" louvers and includes 2" of clearance (1" on each end of the bay).

The louver **LENGTH** is how long each individual louver is (**MAXIMUM** length is 11'6").



Inside Louver Projection 17'6" (Including Clearance)

Steps 1.1-1.3

1.1 Using the drop-down, select the inside dimension of the system's projection. (Ex: Select 17'6")

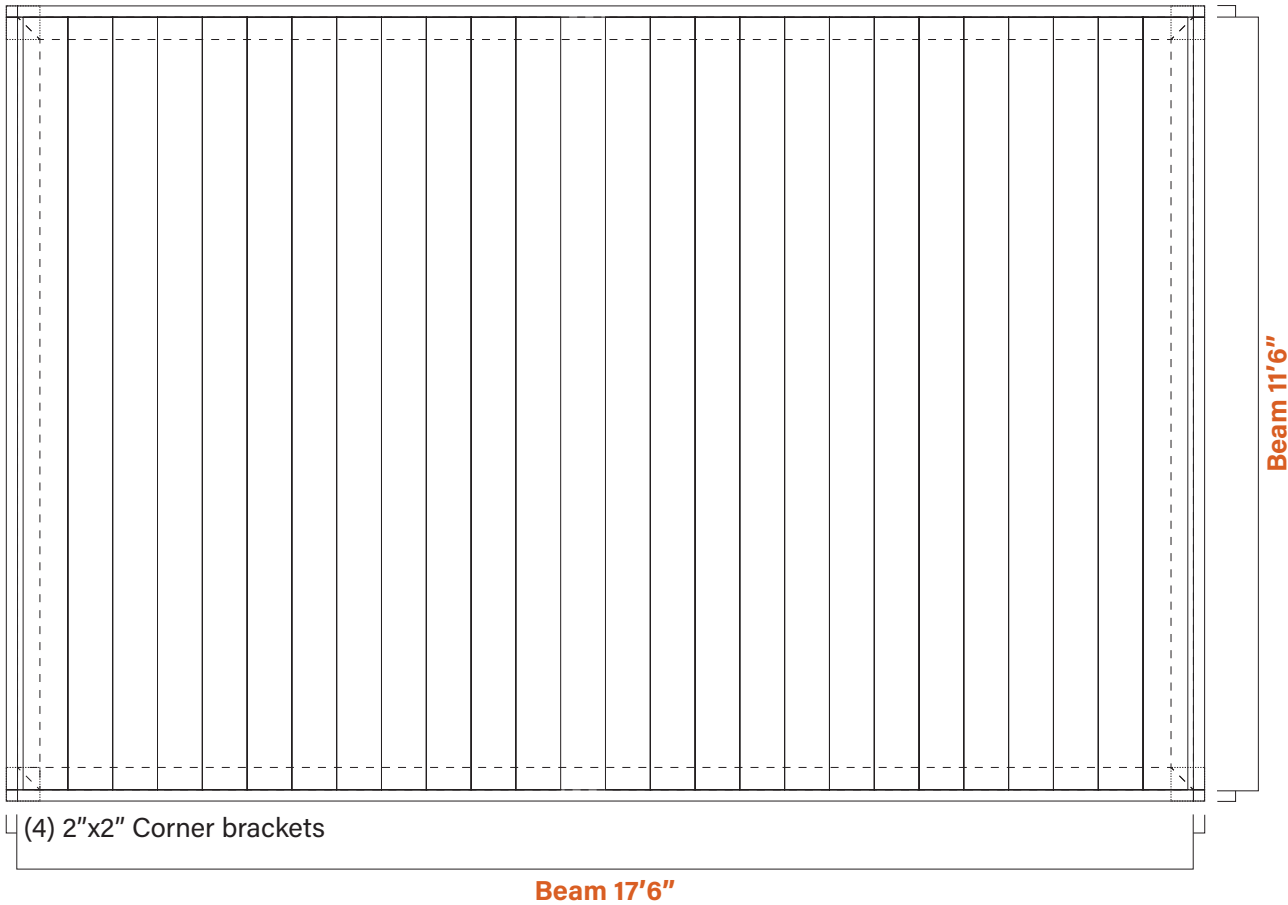
1.2 Input the inside dimension of the system's length. The system's length is how long each louver will be.

IMPORTANT: The longest length a louver can be is 11'6"

1.3 Input the Qty of bays that will be at this size. (Ex. Input 1)

The screenshot shows the following input fields:

- System Size: [Dropdown menu]
- Louver Projection: [Dropdown menu with value 17'6"]
- Louver Length: Feet: [Input field with value 11]
- Louver Length: Inches: [Input field with value 6]
- Qty of Bays at this Size: [Input field with value 1]
- [Add Additional Bay Size button]



2. Inputting Beam Sizes

2.1 Input the length, size, and Qty of each beam size needed. If more beam sizes are needed, click the "Add Beam Size" button. (Ex: Two 2x10 beams @ 17'6" and two 2x10 beams @ 11'6" are required.)

Note: Beams are sent 4" longer than stated unless otherwise noted.

Steps 2.1

Beams
Enter the length and quantity of each beam size needed.

**Beams are cut 4" longer than specified, unless otherwise noted (Suggested to ensure accuracy in the field). **Max beam length is 24'. If longer beams are necessary, call our office for pricing.*

**If you need to find out your wind and/or snow loads, [Click here](#).*

**If you need to find out your beam span limits [Click here](#) to download our excel spreadsheet*

Beam Cut
 4" Long
 To Exact Length

Beam Qty: 2 | Beam Size: 2x10

Beam Length: Feet: 17 | Inches: 6

Add Additional Beam Size

Beam Qty: 2 | Beam Size: 2x10

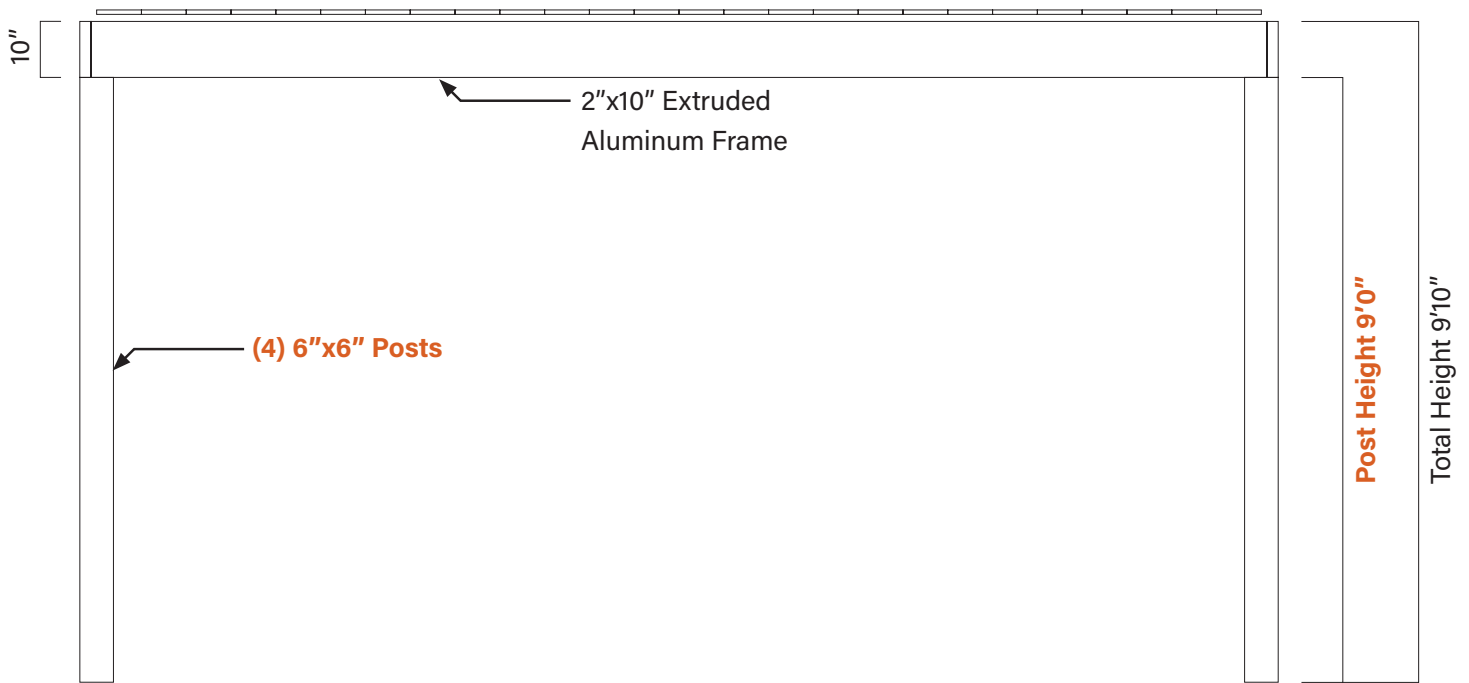
Beam Length: Feet: 17 | Inches: 6

Beam Qty: 2 | Beam Size: 2x10

Beam Length: Feet: 11 | Inches: 6

Add Additional Beam Size

Click to add more beam sizes



3. Inputting Post Sizes

3.1 Input the length, size, and Qty needed for posts. If additional post sizes are needed click the "Add Additional Post Size" button.

Note: Posts are shipped 4" longer than stated.

Posts
Enter the length and quantity of each post size needed.

**All posts are cut 4" longer than specified, unless otherwise noted (Suggested to ensure accuracy in the field). **Max post length is 21'. If longer posts are necessary, call our office for pricing.*

Post Cut
 4" Long
 To Exact Length

Qty: Post Size:

Post Length: Feet: Inches:

Add Additional Post Size



4. Gutters

4.1 Gutters are automatically included and calculated based off of the bay sizes.

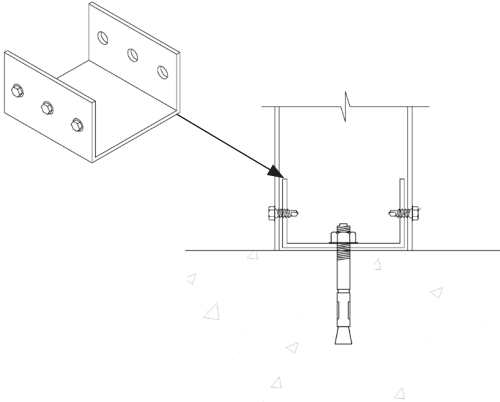
5. Extras

Motors: One motor is required for bays under 18'. Two motors are required for bays over 18'.

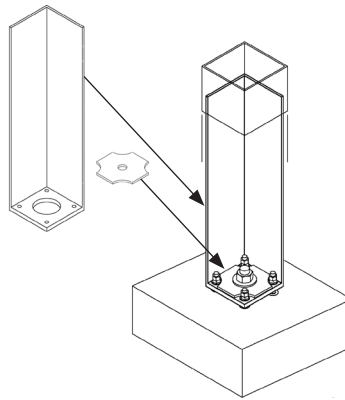
Engineering: While drawings are included with your plan set, we always advise site-specific engineering. Choose "residential" or "commercial" based on job type.

Ground Connection Types: If attached to a slab, internal post base brackets included in price. Galvanized steel posts for footings are not provided by Apollo.

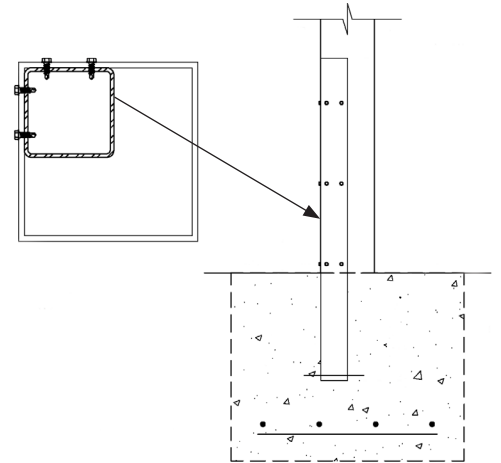
Inside Post Bracket



Internal Post Base Bracket

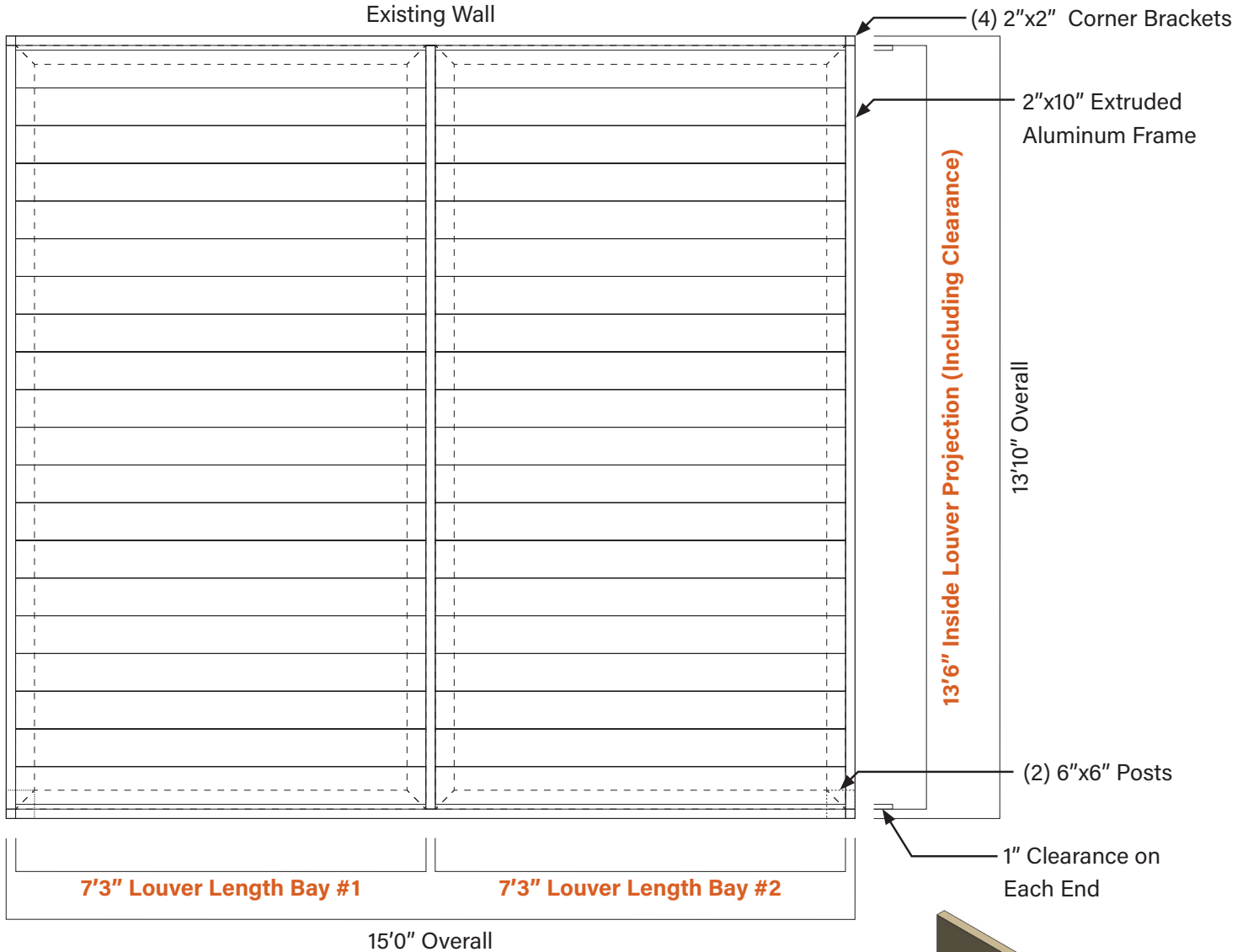


Embedded Steel Insert





Example: Wall Attached Two Bay System Overall Size 15'x13'10"



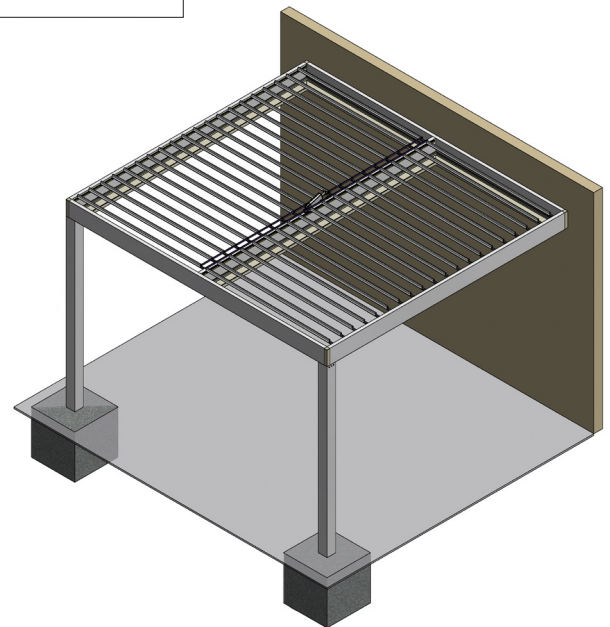
System Size

Louver Projection

Louver Length: Feet Inches:

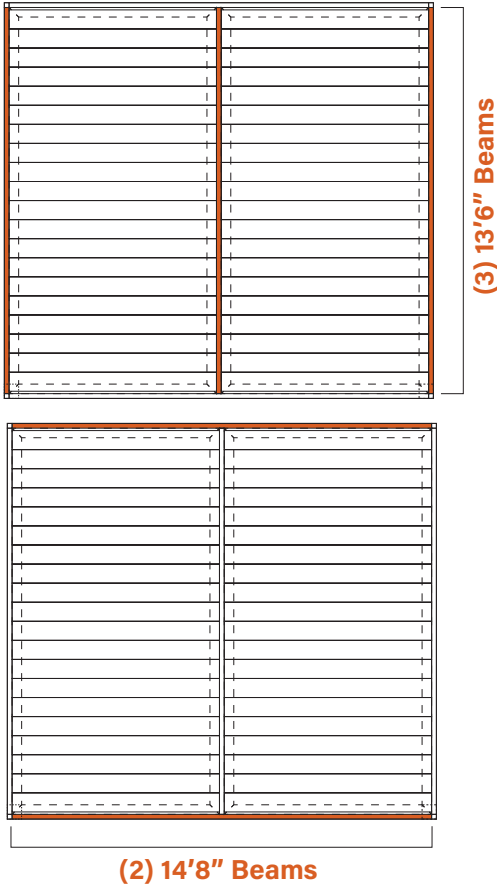
Qty of Bays at this Size

[Add Additional Bay Size](#)





Beam and Post Sizes



Beam Cut

4" Long
 To Exact Length

Beam Qty: 3 Beam Size: 2x10

Beam Length: Feet: 13 Inches: 6

Beam Qty: 2 Beam Size: 2x10

Beam Length: Feet: 14 Inches: 8

[Add Additional Beam Size](#)

Existing Wall



Post Cut

4" Long
 To Exact Length

Qty: 2 Post Size: 6x6

Post Length: Feet: 9 Inches:

[Add Additional Post Size](#)



Submission

After submitting a quote a PDF will be sent to the email associated to the logged in account.

